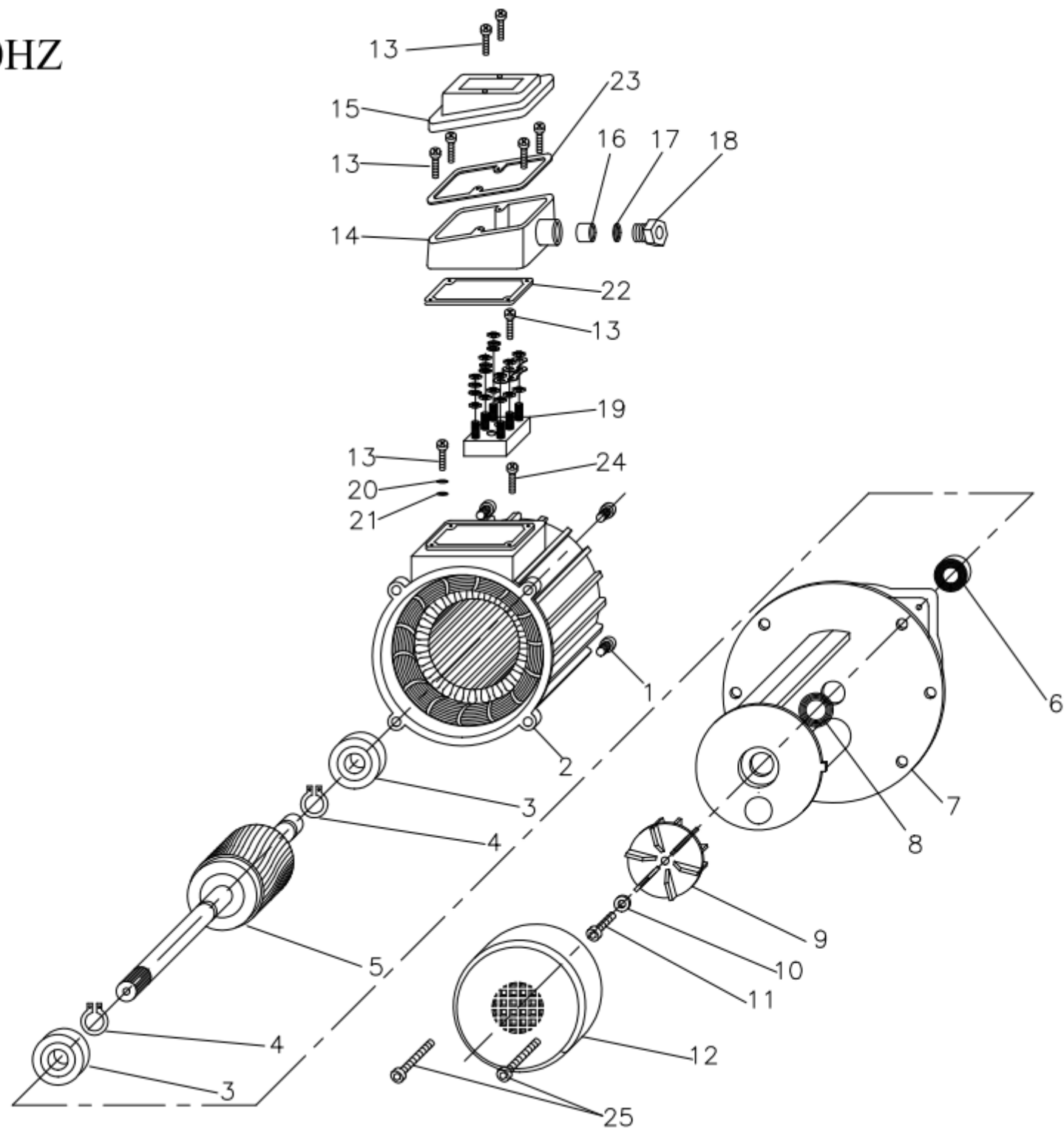


ZV 35 230-400V 50-60HZ

COD: IZV0035062XX1

PESCANTI:

80 - 120 - 150 - 180



RIF.	COD. ARTICOLO	DESCRIZIONE	QUANTITA'
1	30005A0000006	VITE 5X20 A2 TC+ SLD	4
2	M604000013301	STAT IN CASSA 63 B5 CH 230/400/50 30ZV35	1
3	2162010000007	CUSCINETTO 6201 2RS	2
4	21012F0000001	ANELLO 1400 EST. 12 FOSFAT.UNI 7435 DIN471	2
5	V630300000001	ALBERO (ZV 35 PESCANTE H80)	1
	V630300000002	ALBERO (ZV 35 PESCANTE H120)	1
	V630300000003	ALBERO (ZV 35 PESCANTE H150)	1
	V630300000004	ALBERO (ZV 35 PESCANTE H180)	1
6	34PAR12000004	PARAOILIO SC 12X24X4,5 M.INOX DICHTOMATIK	1
7	24BGA63000001	GAMBO STAMP.M63 PESCANTE H80 D.78 NYLON	1
	24BGA63000002	GAMBO STAMP.M63 PESCANTE H120 D.78 NYLON	1
	24BGA63000003	GAMBO STAMP.M63 PESCANTE H150 D.78 NYLON	1
	24BGA63000004	GAMBO STAMP.M63 PESCANTE H180 D.78 NYLON	1
8	34ROM00000003	ROMPIGOCCIA 23X11,5 H2 NBR	2
9	56BPZV0000001	GIRANTE ZV 35 H18 D. 44 NYLON	1
10	32005A0000001	RONDELLA M 5 A2 DIN 125	1
11	30005A0000009	VITE M 5 X14 A2 TCCE	1
12	24BCHIZ000002	CHIOCCIOLA ZV D. 78 PP	1
13	30003Z0000006	VITE 3,5X13 C15 ZNC TC+ AUTOF.DIN7981	8
14	24BSCA0000004	SCATOLA PORTA-MORSET. CASSA NYLON	1
15	24BCOP6300002	COPERCHIO MORSETTIERA M63 CASSA NYLON	1
16	34PAS00000008	PASSACAVO X SCATOLA CASSA NYLON	1
17	32014L0000001	RONDELLA 14 X10H1 ALLUMINI.PAS-ZV	1
18	11PRE00000001	PRESSACAVO X SCATOLA CASSA NYLON	1
19	11MORS00000005	MORSETTIERA 40X25 6PERNI (+6DADI)	1
20	32004ZGR00001	RONDELLA GROW.M4 DIN 127-B ZNC	1
21	32004Z0000001	RONDELLA M 4 UNI6592 DIN125-A ZNC	1
22	34COR00000006	CORNICE X SCATOLA MORS.CASSA NYLON EPDM	1
23	34COR00000005	CORNICE X COPRIM. CASSA NYLON MUSS	1
24	30003Z0000020	VITE M 3,5X 9,5 C15 ZNB TC+ AUTOFILET.	1
25	30003A0000015	VITE 3,5X40 A2 TSP+ TRUCIOL.DIN7505A	2