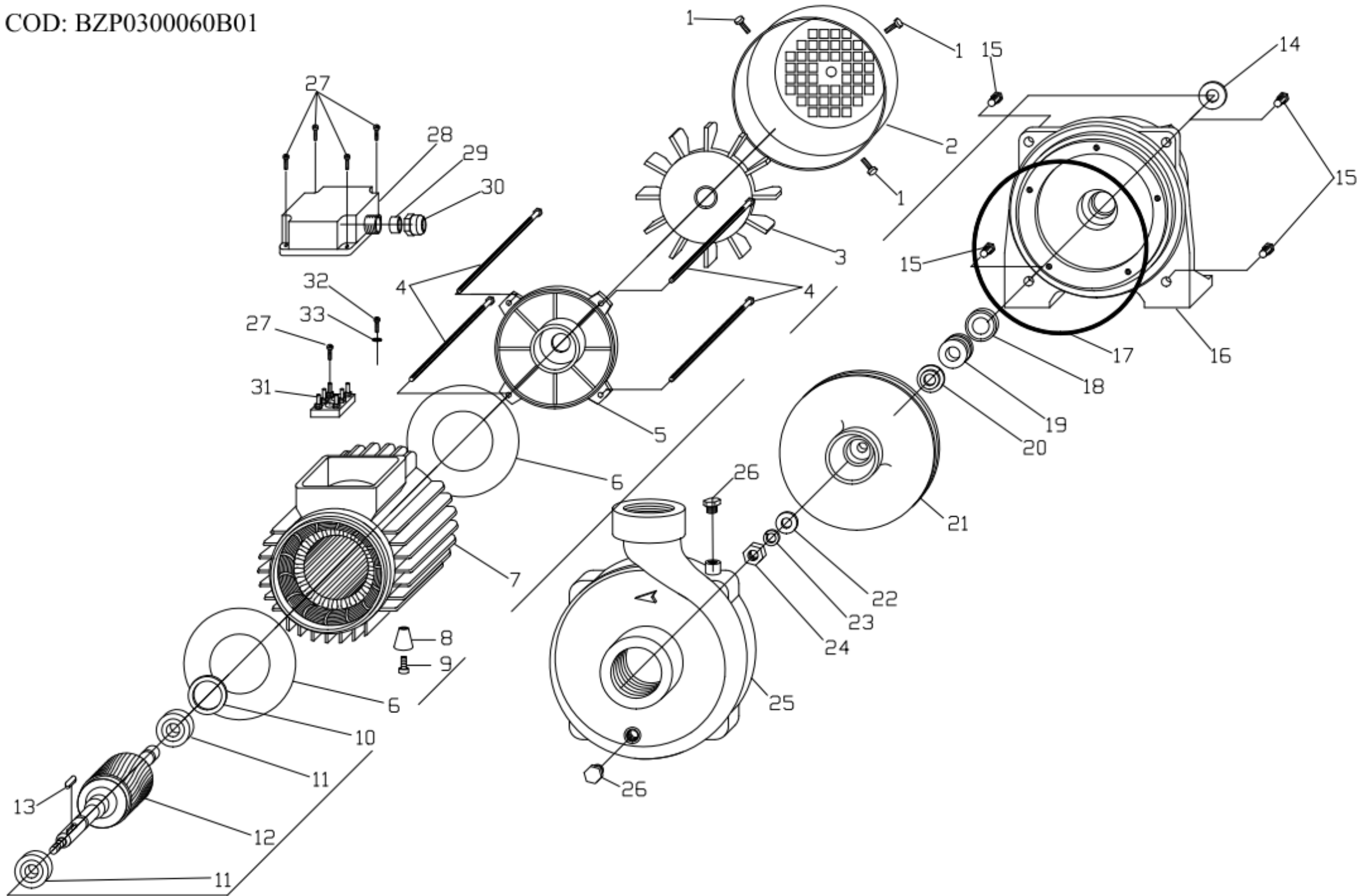


# ZP 300 230-400V 50HZ

COD: BZP0300060B01



RIF.	COD. ARTICOLO	DESCRIZIONE	QUANTITA'
1	30003Z0000020	VITE M 3,5X 9,5 C15 ZNB TC+ AUTOFILET.	4
2	44BCOP8000001	COPRIVENTOLA MEC80 LAM.LUCIDA VP/4F	1
3	24BVEN0000005	VENTOLA MEC80 CON ANELLO FB	1
4	33005G0000005	TIRANTE M 5X152 4,8 GR	4
5	50BSCU8000001	SCUDO M80 B3 NPF LAV.	1
6	34ISO00000002	DISCO ISOL. MYLAR 125X67 "ZM400"	1
7	M822000013241	STAT IN CASSA 80 B5 AP 230/400/50 120	1
8	00PIE00000011	PIEDINO X MOTORE MEC71 H31 CON FORO	1
9	30005Z0000029	VITE 5,5X14 C15B ZNC TC+ AUTOFILETT.	1
10	216204C000001	ANELLO COMPENSATORE D.47 X 6204	1
11	2162040000004	CUSCINETTO 6204 2RS 20X47X14	2
12	H801210000002	ALBERO E ROTORE ZP300 (12005)	1
13	30L0400000001	LINGUETTA 4X4X10 INOX	1
14	34ROM00000001	ROMPIGOCCIA 30X14 H2,5 NBR	1
15	30010Z0000002	VITE M10 X30 8.8 ZNC TE PG DIN 933	4
16	54BSUPJET0001	SUPPORTO B-JET 88013/L LAV.GHISA	1
17	3417100000001	OR 171 X3,53 NBR 70 2312	1
18	3516F00000004	TENUTA F. 29,5X16 X8 PF C XP	1
19	3515R00000004	TENUTA R.15X32X13 PR/PN BPF-F MOLLA L	1
20	32013BPT00001	RONDELLA PREM 13-15X30 H 9 OT /	1
21	56BBZP0000001	GIRANTE H4,4 D.166 53000/L SX L. OTT	1
22	32010A0000001	RONDELLA M10 A2 DIN125-A	1
23	32010AGR00001	RONDELLA GROW M10 A2 DIN127-B	1
24	31010A0000001	DADO M10 H 8 A2 DIN 934	1
25	54BTZP0000001	TESTATA GHISA ZP 150/300 LAV. 28005/L1	1
26	31TAP00000006	TAPPO 1/4 GAS E.17 OT NIC SEDE OR+OR H13	2
27	30003Z0000006	VITE 3,5X13 C15 ZNC TC+ AUTOF.DIN7981	5
28	24BCOP8000001	COPRI-MORSETTIERA M80 CASSA CAME	1
29	34GUA00000014	GUARN. CONICA M80/100 SAVIPLAST D. 9 M20	1
30	24BGHI0000014	GHIERA FILETTATA PG 13,5 SCATOLA M80	1
31	11MORS0000005	MORSETTIERA 40X25 6PERNI (+6DADI)	1
32	30003Z0000005	VITE 3,5X10 C15 ZNC TC+ DIN 7500-C	1
33	32004ZDT00001	RONDELLA DENT.M 4 DIN 6798 A ZNC	1