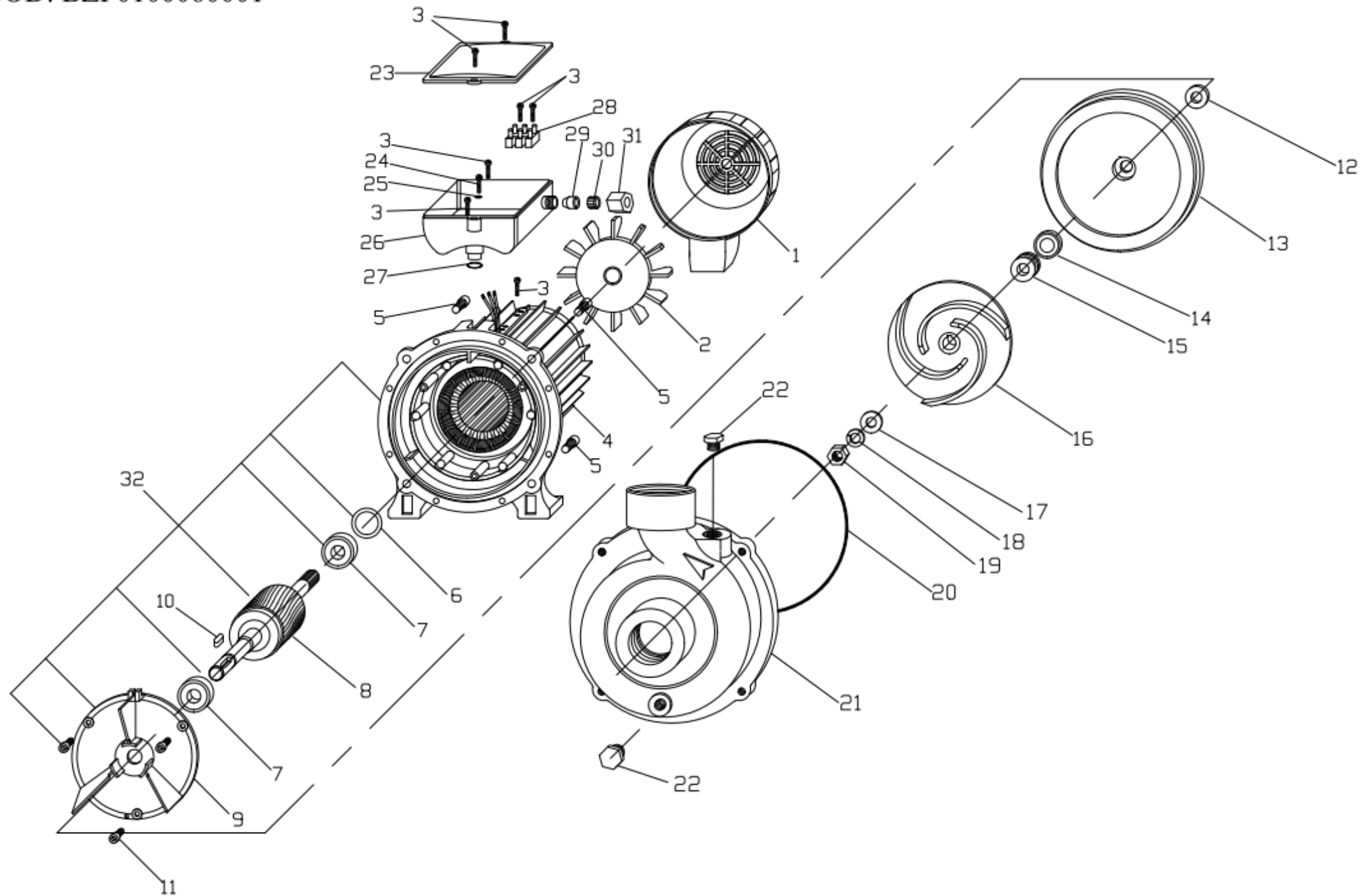


ZP 100 230-400V 50HZ

COD: BZP0100060001



RIF.	COD. ARTICOLO	DESCRIZIONE	QUANTITA'
1	24BCPM7100005	COPRI-VENTOLA M71 PP NERO + PIEDE AC3005	1
2	24BVEN0000003	VENTOLA MEC71 CON ANELLO	1
3	30003Z0000006	VITE 3,5X13 C15 ZNC TC+ AUTOF.DIN7981	7
4	M707000013901	STAT IN CASSA 71 B3 BG CH 230/400/50 90	1
5	30008G0000002	VITE M8X18 8.8 ZNC TCCE UNI 5931 DIN 912	4
6	216202C000001	ANELLO COMPENSATORE D.35B X 6202	1
7	2162020000006	CUSCINETTO 6202 2RS	2
8	H710900000015	ALBERO E ROTORE JOLLY 140 G. OTTONE	1
9	50BSCU7100004	SCUDO ANTERIORE PER CASSA M71 LAV.SC3001	1
10	30L0400000001	LINGUETTA 4X4X10 INOX DIN 6885-A	1
11	30005Z0000012	VITE M5X12 C15ZNC TC+TT AUTOFORM.UNI8112	3
12	34ROM00000001	ROMPIGOCCIA 30X14 H2,5 NBR	1
13	44BFLAJ000001	FLANGIA JOLLY/EUROSTAR INOX	1
14	3516F00000004	TENUTA F. 29,5X16 X8 PF C XP	1
15	3515R00000004	TENUTA R.15X32X13 PR/PN BPFF-F MOLLA L	1
16	56BNZR0000001	GIRANTE ZR 100 H10 D.123 NORYL	1
17	32010A0000001	RONDELLA M10 A2 DIN125-A	1
18	32010AGR00001	RONDELLA GROW M10 A2 DIN127-B	1
19	31010A0000001	DADO M10 H 8 A2 DIN 934	1
20	3415800000001	OR 158,35X3,53 NBR 70 4625	1
21	54BTZR0000001	TESTATA GH.ZR100 1"1/2X1"1/4 L.28045/L1	1
22	24BTAPP0000006	TAPPO 1/4GAS TESTATA JET-POM +OR AC3009	2
23	24BCOP7100010	COPERCHIO X SCAT.PORTACOND.M71 AC3004	1
24	30003Z0000005	VITE 3,5X10 C15 ZNC TC+ DIN 7500-C	1
25	32004ZDT00001	RONDELLA DENT.M4 DIN 6798 A ZNC	1
26	24BSCA0000010	SCATOLA PORTA-COND.M71 SENZA FORO AC3003	1
27	3401300000002	OR 13,10X2,62 NBR 70 3053	1
28	11MORS0000005	MORSETTIERA 40X25 6PERNI (+6 DADI)	1
29	34PAS00000006	PASSACAVO X SCATOLA COND. FORO D.9	1
30	24BFER0000004	FERMACAVO A GABBIA X COPRIMORS.	1
31	24BGHI0000002	GHIERA PRESSACAVO SCATOL.COND.NYLON ROHS	1
32	M732000013901	STAT IN CASSA 71 B3 BG PN CH230/400/50 9	1