

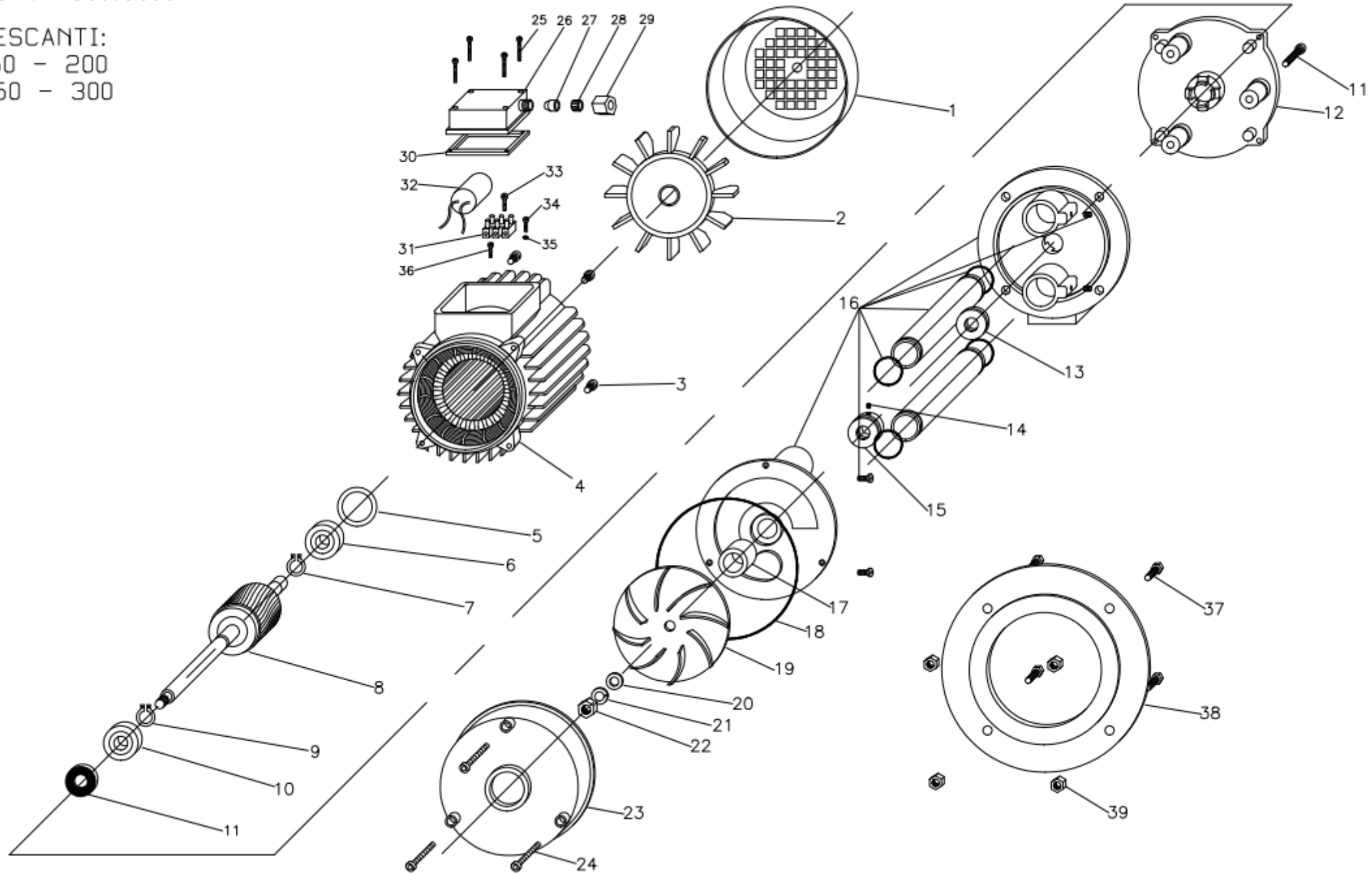
# ZC 75 230V 50HZ

COD: IZC0075000XX1

PESCANTI:

150 - 200

250 - 300



RIF.	COD. ARTICOLO	DESCRIZIONE	QUANTITA'
1	24BCPM6300003	COPRI-VENTOLA M63 PP NERO GRIGLIA CIRCOL	1
2	24BVEN0000001	VENTOLA MEC63 CON ANELLO	1
3	30005Z0000023	VITE TCEI 5 X20 C15B ZNC TT	4
4	M629000013701	STAT IN CASSA 63 B5 CH 230/400/50 70 NER	1
5	216201C000001	ANELLO COMPENSATORE D.32B X 6201	1
6	2162010000002	CUSCINETTO 6201 2RS/C3	1
7	21012F0000001	ANELLO 1400 EST. 12 FOSFAT.UNI7435 DIN471	1
8	V630700000006	ALBERO (ZC 75 PESCANTE H150)	1
	V630700000007	ALBERO (ZC 75 PESCANTE H200)	1
	V630700000008	ALBERO (ZC 75 PESCANTE H250)	1
	V630700000009	ALBERO (ZC 75 PESCANTE H300)	1
9	21017F0000001	ANELLO 1400 EST. 17 FOSFATATO	1
10	2162030000002	CUSCINETTO 6203 ZZ -C3 GRASSO ALTA TEMP.	1
11	30006Z0000020	VITE M6X40 ZNC TCEI CH.5	3
12	50BSUPZS00005	SUPPORTO M.71 ZS VERN.NERO ALL.RUL. D.40	1
13	34VRI00000006	V-RING NBR VS 16 15,5 - 17,5	2
14	30004A0000013	GRANO M 4 X 5 A2 CE ESTR.PIANA DIN913	1
15	32017BRG00001	RONDELLA ROMP 17 X30 H10 OT /PS	1
16	29BGA63000006	GAMBO ASS.M63 PESCANTE H150 A2 ZC 75	1
	29BGA63000007	GAMBO ASS.M63 PESCANTE H200 A2 ZC 75	1
	29BGA63000008	GAMBO ASS.M63 PESCANTE H250 A2 ZC 75	1
	29BGA63000009	GAMBO ASS.M63 PESCANTE H300 A2 ZC 75	1
17	21BOCG0000002	BOCCOLA D 17X25 H30 GOMMA NBR	1
18	3412000000001	OR 120 X2 NBR 70	1
19	56BRZC0000001	GIRANTE ZC H 6 D. 90 L.RYTON	1
20	32008A0000001	RONDELLA M 8 A2 /HF DIN 125	1
21	32008AGR00001	RONDELLA GROW.M 8 DIN 127-B A2	1
22	31008A0000001	DADO M 8 H 6,5 A2 UNI5588	1
23	24BCHIZ000001	CHIOCCIOLA ZC D.122 PBT	1
24	30004A0000019	VITE 4 X45 A2 TC+ SL DIN7505-B	3
25	30003Z0000018	VITE 3,5X35 C15 ZNC TC+ PG DIN 7500-C	4
26	24ICOP6300001	COPRI-MORSETTIERA M63/71 S.F.NYLON ROHS	1
27	34PAS00000006	PASSACAVO X SCATOLA COND. FORO D.9	1
28	24BFER0000004	FERMACAVO A GABBIA X COPRIMORS.	1
29	24BGHI0000002	GHIERA PRESSACAVO SCATOL.COND.NYLON ROHS	1
30	34COR00000004	CORNICE X COPR. M63 78X72 45SH EPDM	1
31	11MAM00000001	MAMMUT 3X2 (FIBRA VETRO 3 POLI)C/LAMELLA	1
32	10CON00000002	CONDENSATORE MF 12 VL450 D.36	1
33	30003Z0000011	VITE 3,5X19 ZNC TC+ DIN 7981B	1
34	30003Z0000005	VITE 3,5X10 C15 ZNC TC+ DIN 7500-C	1
35	32004ZDT00001	RONDELLA DENT.M 4 DIN 6798 A ZNC	1
36	30003Z0000006	VITE 3,5X13 C15 ZNC TC+ AUTOF.DIN7981	1
37	30006A0000002	VITE M 6 X20 A2 TCEI DIN912	4
38	24WFLAA000001	FLANGIA ADATTATORE NYLON D.180X100	1
39	31006A0000001	DADO M 6 H12 A2 CIECO 1587	4