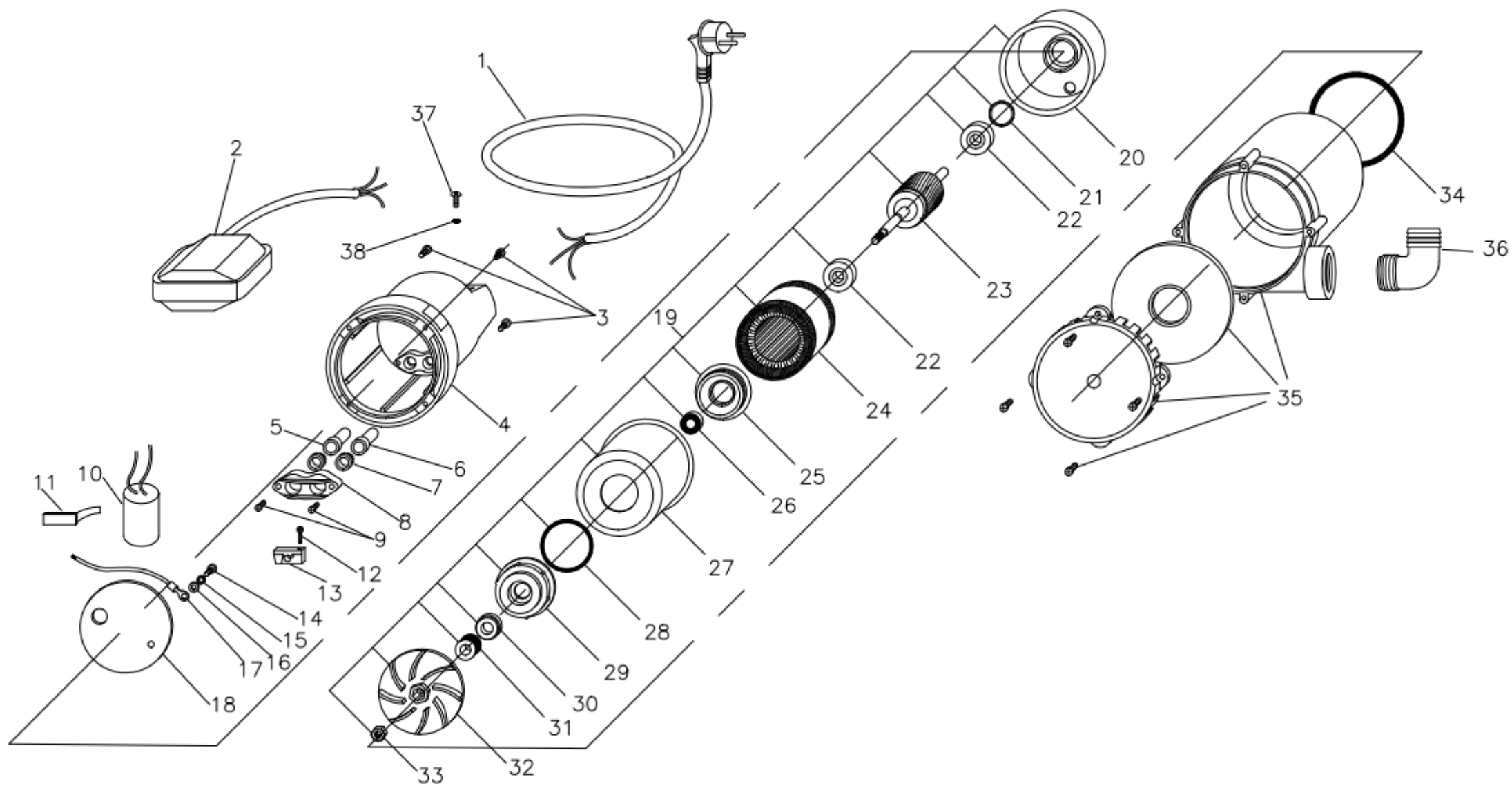


SPA 5000 230V 50HZ

COD. ASPA050000001



RIF.	COD. ARTICOLO	DESCRIZIONE	QUANTITA'
1	14ACAVRNF0004	CAVO H05 RNF 3X0,75 M 10,3 SCHUKO	1
2	11AGAL0000002	GALLEGGIANTE FILO CM 52 NERO H07 RNF 3X1	1
3	30005A0000006	VITE 5X20 A2 TC+ SLD	4
4	55AOSIP0000003	TESTATA OSIP GAL/P VERDE	1
5	34PAS000000002	PASSACAVO 9X19 C. EPDM50	1
6	34PAS000000001	PASSACAVO 7X19 C. EPDM50	1
7	24ABOC0000001	BOCCOLA FERMACAVO "TURBO 50"	2
8	24ASTA00000001	STAFFA FERMACAVO/CONDENSATORE	1
9	30004Z00000004	VITE 4X20 C15 ZNC TC+ TRUCIOL. SL	2
10	10CON00000017	CONDENSATORE MF 10 VL450 35 X57	1
11	24AFER00000003	FERMA-CONDENSATORE "GASTA1" V33	1
12	30003Z00000006	VITE 3,5X13 C15 ZNC TC+ AUTOF.DIN7981	1
13	24BFER00000001	FERMACAVO	1
14	30003Z00000005	VITE 3,5X10 C15 ZNC TC+ DIN 7500-C	1
15	32004ZDT00001	RONDELLA DENT.M 4 DIN 6798 A ZNC	1
16	32006Z00000001	RONDELLA M 6 UNI 6592 ZNC DIN 125-A	1
17	14ACAV00000002	CAVETTO GIAL./VER. CM 28 OCC.D.4 PREISOL	1
18	24ADPRT0000001	DISCO PROTEZIONE MOTORI SOMMERSE V32	1
19	N610012801501	MOTORE 63 CONT.INOX SPA5000230/50CT.O 50	1
20	50ACALN0000001	CALOTTA ALL.MOTORI SOMM. LAV.	1
21	216201C0000001	ANELLO COMPENSATORE D.32B X 6201	1
22	21620100000007	CUSCINETTO 6201 2RS	2
23	L6305000000004	ALBERO E ROTORE SPA-SPM 5000 TENUTA D.12	1
24	P630500010001	STATORE AV. 90X47H 50 A.2PM V230/50 O CT	1
25	24ASUP00000003	SUPPORTO 50/32 (NEW)	1
26	34PAR12000001	PARAOILIO SC 12X24X4,5	1
27	44ACONI0000008	CONTENITORE INOX H70 NEW FORO 43 SPA5000	1
28	3404200000001	OR 42,5X2,62 NBR 70 3168 PS300	1
29	24AGHI00000003	GHIERA SUPPORTO 50/32 CON S.TENUTA (NEW)	1
30	3513F000000007	TENUTA F.26X13X5,5 ALLUMI.NBR.G.RAG	1
31	3512R000000008	TENUTA R.FG12/22/8.3 CARBON.NBR316	1
32	56ANSPA0000006	GIRANTE SPA5000D. 95 PALE H9 50HZ NORYL	1
33	31008A00000001	DADO M 8 H 6,5 A2 UNI5588	1
34	34090000000001	OR 90 X6,25 EPDM60	1
35	24ACHIA000010	CHIOCCIOLA H 122 F1"1/4 S.INS+DUSC34+BAS	1
36	24ACUR00000002	CURVA 1"1/4 X 35	1
37	30003A00000013	VITE 3,5X10 A2 TC TORX SLD	1
38	34002000000001	OR 2,90X1,78 NBR 70 2012	1