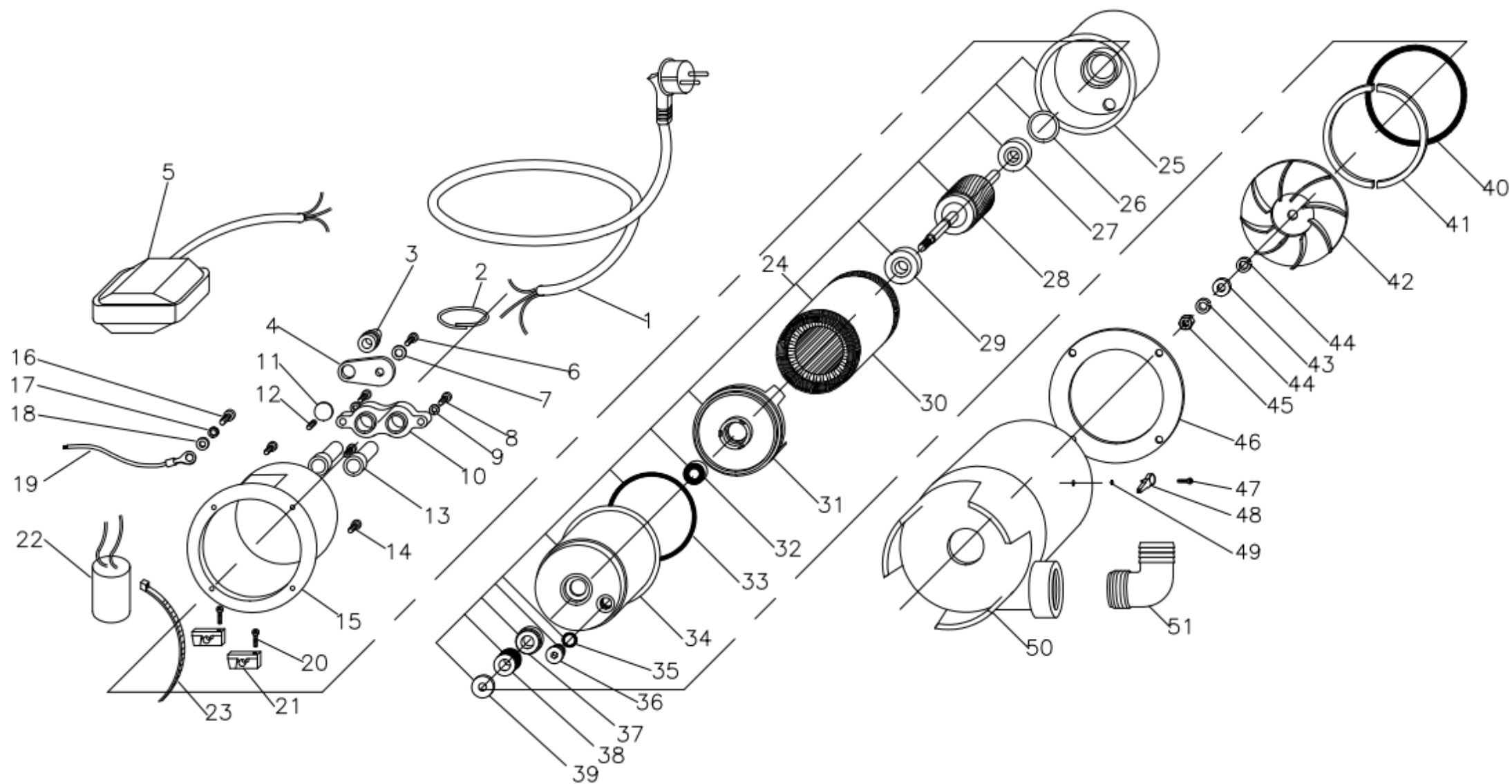


SG 1500 230V 50HZ

COD. ASG015000001



RIF.	COD. ARTICOLO	DESCRIZIONE	QUANTITA'
1	14ACAVRNF0009	CAVO H07 RNF 3X1 M 10,3 SCHUKO	1
2	00ANE00000001	ANELLO ACCIAIO ZNC MM65 PER NSA	1
3	34PAS00000005	PASSACAVO CONICO X GALLEGG. SG EPDM60	1
4	24AANE00000005	ANELLO REGGICAVO GALLEGGIANTE NSA	1
5	11AGAL00000002	GALLEGGIANTE FILO CM 52 NERO H07 RNF 3X1	1
6	30005A00000003	VITE M 5 X16 A2 TCCE DIN 912	1
7	32006A00000001	RONDELLA M 6 X18 A2	1
8	30005A00000013	VITE M 5 X10 A2 TCEI DIN 912	2
9	32005A00000001	RONDELLA M 5 A2 DIN 125	2
10	24APRE00000002	PRESSACAVO IN RYTON X TESTATE NSA	1
11	65ATAR00000035	BOLLINO ROSSO TEST POMPE SOMMERSE	1
12	30005A00000016	GRANO M 5 X 6 A2 CE ESTR.PIANA DIN 913	1
13	34PAS000000002	PASSACAVO 9X19 C. EPDM50	2
14	30006A00000002	VITE M 6 X20 A2 TCCE DIN 912	4
15	54ATNSA00000004	TESTATA SG1500 SER(C) CH124/1 LAV.GHISA	1
16	30005Z00000004	VITE M5 X10 8,8 ZNC TCCE	1
17	32005ZDT000001	RONDELLA DENT M5 D.EST9 ZNC	1
18	32005Z00000001	RONDELLA M5 DIN 125-A ZNC	1
19	14ACAV00000009	CAVETTO GIAL./VER. CM 28 OCC.D.5 PREISOL	1
20	30003Z00000006	VITE 3,5X13 C15 ZNC TC+ AUTOF.DIN7981	2
21	24BFER00000001	FERMACAVO	2
22	10CON000000018	CONDENSATORE MF 25 VL450 45X70 CAV.CM20	1
23	66FAS000000001	FASCETTE NYLON 6,6 200X3,6	1
24	N613062701111	MOTORE 63 CONT.INOX SG1500 230/50CT.O 11	1
25	24ACAL00000005	CALOTTA MOTORE H110 RYTON SOMMERSE	1
26	216201C0000001	ANELLO COMPENSATORE D.32B X 6201	1
27	21620100000002	CUSCINETTO 6201 2RS/C3	1
28	L6311000000002	ALBERO E ROTORE SG1500 X TENUTA D12	1
29	21620200000002	CUSCINETTO 6202 2RS-C3WT 15/35/11 SKF	1
30	P631100010001	STATORE AV. 90X47H110 A.2PM V230/50 O CT	1
31	24ASUP00000009	SUPPORTO RYTON X CONTENIT. INOX SOM.D.35	1
32	34PAR120000001	PARAOILIO SC 12X24X4,5	1
33	34082000000001	OR 82,14X3,53 NBR 70 4325	1
34	44ACONI0000011	CONTENITORE INOX MOT.H70-90-110S.TEN.MEC	1
35	34010000000003	OR 10,82X1,78 NBR 70 2043	1
36	31TAP000000010	TAPPO 1/4 GAS TCCE OT NIC SOMM	1
37	3513F000000005	TENUTA F.26X13X5,5 CA.SIL.NBR.G.RAG	1
38	3512R000000007	TENUTA R.FG12/22/8.3 CA.SIL.NBR316	1
39	52ADISP00000003	DIST.PREM.MOT.H90-110 22X12H3,6 D.S151/1	1
40	34090000000001	OR 90 X6,25 EPDM60	1
41	00ANE000000002	ANELLO INTERMEDIO ACC.ZNC X NSA	2
42	56AIHF00000005	GIRANTE SG1500 H13 D.110 INOX	1
43	32018B00000001	RONDELLA 16 X 8,1 H 4 OT.NICHEL	1
44	32008AGR000001	RONDELLA GROW.M 8 DIN 127-B A2	2
45	31008A00000001	DADO M 8 H 6,5 A2 UNI5588	1
46	34GUA000000033	GUARN.PIANA 135X95,5H0,5 X SG GUAMOTOR	1
47	30005A00000015	VITE M5 X10 A2 TCEI DIN 912	1
48	24ACUR00000010	CURVA DI SCARICO ACQUA PER SG FORO 5,5	1
49	34006000000001	OR 6,75X1,78 NBR 70	1
50	54ACHINSA00002	CHIOCCIOLA NSA 1"1/2 28024/L3 LAV.GHISA	1
51	24ACUR00000004	CURVA 1"1/2 X 40 X NSA 351	1