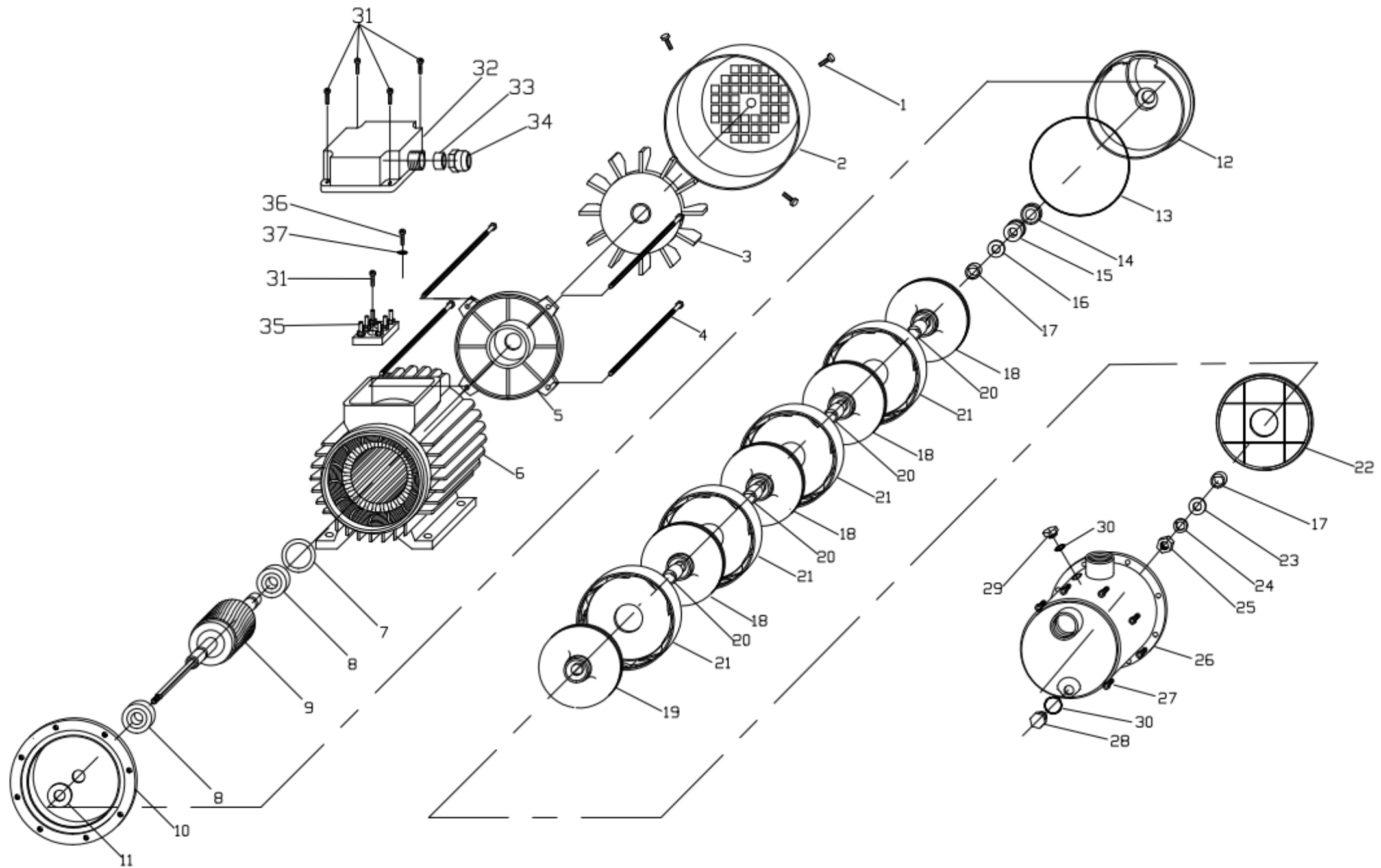


# MCX 200 230-400V 50HZ

COD: BMCX200060B01



RIF.	COD. ARTICOLO	DESCRIZIONE	QUANTITA'
1	30003Z0000020	VITE M 3,5X9,5 C15 ZNB TC+ AUTOFILET.	4
2	44BCOP8000001	COPRIVENTOLA MEC80 LAM.LUCIDA VP/4F	1
3	24BVEN0000005	VENTOLA MEC80 CON ANELLO FB	1
4	33005G0000005	TIRANTE M 5X152 4,8 GR	4
5	50BSCU8000001	SCUDO M80 B3 NPF LAV.	1
6	M820000013101	STAT IN CASSA 80 B3 AP 230/400/50 100	1
7	216204C000001	ANELLO COMPENSATORE D.47 X 6204	1
8	2162040000002	CUSCINETTO 6204 2RS-C3WT 20X47X14 SKF	2
9	H801000000003	ALBERO E ROTORE MCX 200	1
10	50BSUPMC000002	SUPPORTO M.80 MC-MCX ALL. LAVORATO	1
11	34ROM00000001	ROMPIGOCCIA 30X14 H2,5 NBR	1
12	24BFLABM00001	FLANGIA DI BASE MC-MCX P.B.T.	1
13	3412000000002	OR 120,24X3,53 NBR 70 4475	1
14	3516F00000004	TENUTA F. 29,5X16 X8 PF C XP	1
15	3515R00000004	TENUTA R.15X32X13 PR/PN BPF-F MOLLA L	1
16	52BDISP0000006	DISTANZIALE PREM.MCX 30X1518H3,5 OTT.NIC	1
17	52BDISB0000003	DISTANZIALE BASE/FIN.MCX80/100/200 SI.H8	2
18	56BIMCX0000003	GIRANTE MCX200 H4,5 D.105 INOX	4
19	56BIMCX0000005	GIRANTE MCX200 H4,5 D.83 X 60HZ INOX	1
20	24BDISN0000001	DIST.INTER.MCX80100200 FORO D-22.6 NYLON	4
21	24ADIFIN000001	DIFFUSORE INTERMEDIO MC-MCS PBT DI3003	4
22	24ACOPD0000001	COPERCHIO FINALE MCS-MC PBT	1
23	32010A0000001	RONDELLA M10 A2 DIN125-A	1
24	32010AGR00001	RONDELLA GROW M10 A2 DIN127-B	1
25	31010A0000001	DADO M10 H 8 A2 DIN 934	1
26	44BTMC0000004	TESTATA MC-MCX 12/10 5GIR.ASP.1"1/4 LUC.	1
27	30006Z0000019	VITE M6X16 ZNC TCEI CH.5	8
28	31TAP00000006	TAPPO 1/4 GAS E.17 OT NIC SEDE OR+OR H13	1
29	31TAP00000008	TAPPO 1/4 GAS E.17 OT NIC+ SEDE OR H 9	1
30	3401200000001	OR 12,42X1,78 NBR 70 2050	2
31	30003Z0000006	VITE 3,5X13 C15 ZNC TC+ AUTOF. DIN7981	5
32	24BCOP8000001	COPRI-MORSETTIERA M80 CASSA CAME	1
33	34GUA00000014	GUARN.CONICA M80/100 SAVIPLAST D.9 M20	1
34	24BGHI0000014	GHIERA FILETTATA PG 13,5 SCATOLA M80	1
35	11MORS00000005	MORSETTIERA 40X25 6PERNI (+6DADI)	1
36	30003Z0000005	VITE 3,5X10 C15 ZNC TC+ DIN 7500-C	1
37	32004ZDT00001	RONDELLA DENT.M 4 DIN 6798 A ZNC	1