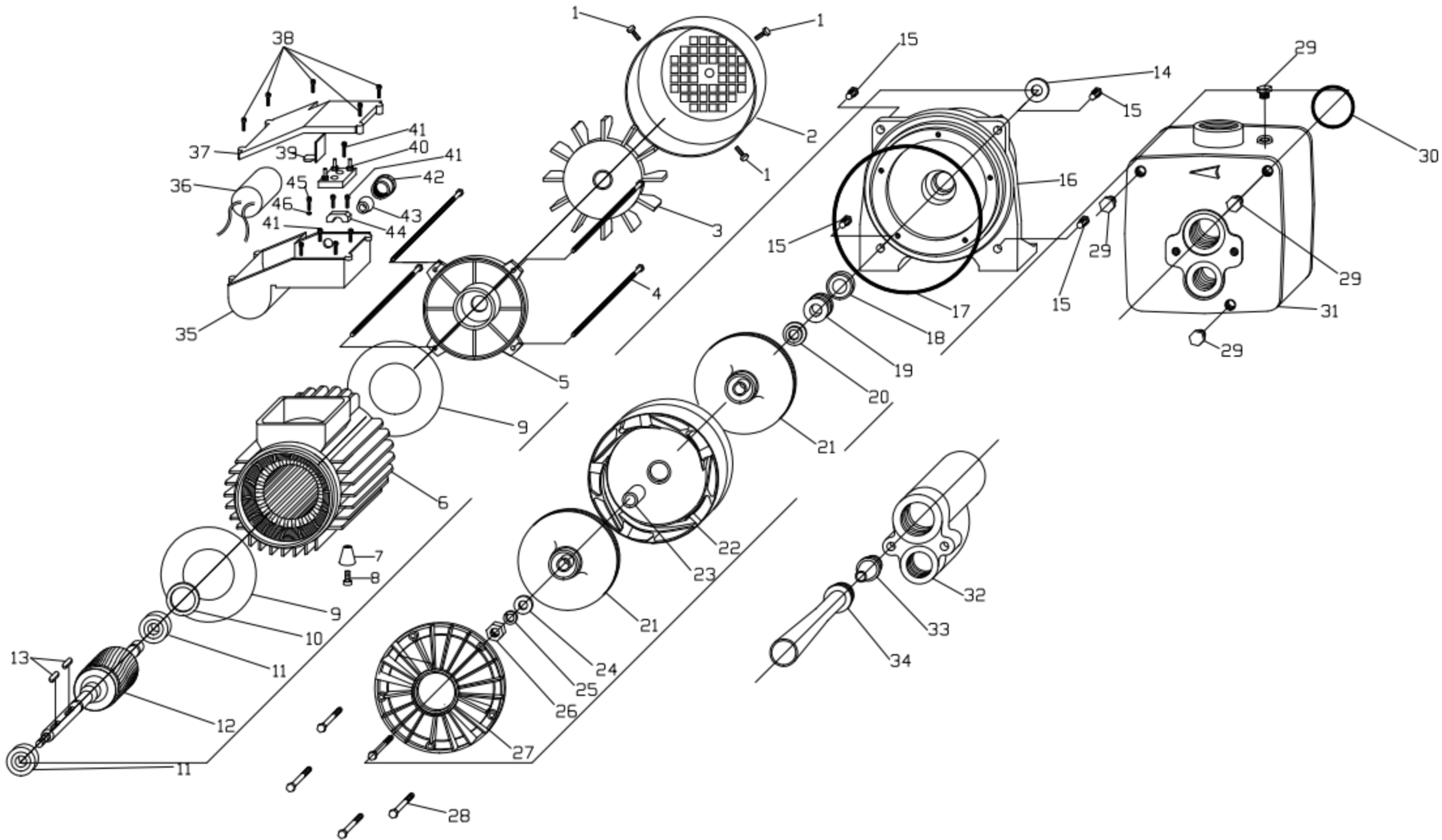


DW-JET 300 230V 50HZ

COD: BDWJ300000B01



| RIF. | COD. ARTICOLO | DESCRIZIONE                              | QUANTITA' |
|------|---------------|--|-----------|
| 1    | 30003Z0000020 | VITE M 3,5X 9,5 C15 ZNB TC+ AUTOFILET.   | 4         |
| 2    | 44BCOP8000001 | COPRIVENTOLA MEC80 LAM.LUCIDA VP/4F      | 1         |
| 3    | 24BVEN0000005 | VENTOLA MEC80 CON ANELLO FB              | 1         |
| 4    | 33005G0000005 | TIRANTE M 5X152 4,8 GR                   | 4         |
| 5    | 50BSCU8000001 | SCUDO M80 B3 NPF LAV.                    | 1         |
| 6    | M822000006241 | STAT IN CASSA 80 B5 AP 230/50ST.A120     | 1         |
| 7    | 00PIE00000011 | PIEDINO X MOTORE MEC71 H31 CON FORO      | 1         |
| 8    | 30005Z0000029 | VITE 5,5X14 C15B ZNC TC+ AUTOFILETT.     | 1         |
| 9    | 34ISO00000002 | DISCO ISOL. MYLAR 125X67 "ZM400"         | 2         |
| 10   | 216204C000001 | ANELLO COMPENSATORE D.47 X 6204          | 1         |
| 11   | 2162040000004 | CUSCINETTO 6204 2RS 20X47X14             | 2         |
| 12   | H801210000001 | ALBERO E ROTORE BI-JET 300 (12000)       | 1         |
| 13   | 30L0400000001 | LINGUETTA 4X4X10 INOX DIN 6885-A         | 2         |
| 14   | 34ROM00000001 | ROMPIGOCCIA 30X14 H2,5 NBR               | 1         |
| 15   | 30010Z0000002 | VITE M10 X30 8.8 ZNC TE PG DIN 933       | 4         |
| 16   | 54BSUPJET0001 | SUPPORTO B-JET 88013/L LAV.GHISA         | 1         |
| 17   | 3417100000001 | OR 171 X3,53 NBR 70 2312                 | 1         |
| 18   | 3516F00000004 | TENUTA F. 29,5X16 X8 PF C XP             | 1         |
| 19   | 3515R00000010 | TENUTA R.15X33X16,3 PR/PN BPFF-F MOL.L.G | 1         |
| 20   | 32013BPT00002 | RONDELLA PREM 13-15X30 H 6.5 OT /B-JET   | 1         |
| 21   | 56BNJET000003 | GIRANTE JET300 H7.8 D.130 53006 NORYL    | 2         |
| 22   | 24BDIFIJ00001 | DIFFUSORE INTERM.JET-ZBJ NORIL D.170 H54 | 1         |
| 23   | 52BDISG000004 | DISTANZIALE GIRANTE X B-JET27.5X13 17001 | 1         |
| 24   | 32010A0000001 | RONDELLA M10 A2 DIN125-A                 | 1         |
| 25   | 32010AGR00001 | RONDELLA GROW M10 A2 DIN127-B            | 1         |
| 26   | 31010A0000001 | DADO M10 H 8 A2 DIN 934                  | 1         |
| 27   | 24BCOPDJ00001 | COPERCHIO DIFFUSORE BI-JET D.170 NORIL   | 1         |
| 28   | 30005A0000014 | VITE M5X65 A2 TCCE UNI5931 DIN912        | 5         |
| 29   | 24BTAPP000006 | TAPPO 1/4 GAS TESTATA JET-POM +OR AC3009 | 4         |
| 30   | 3405000000002 | OR 50,39X3,53 NBR 70 4200                | 1         |
| 31   | 54BTJET000001 | TESTATA GHISA JET150/300 LAV. 28014/L2   | 1         |
| 32   | 54BEIEDWS0005 | EIETTORE DWS NEW 1" M EI14/1 LAV.GHISA   | 1         |
| 33   | 24BUGED000001 | UGELLO DWS P30 D.6                       | 1         |
| 34   | 24BVNTD000001 | VENTURI DWS P30 D.8.5 LUNGO NERO         | 1         |
| 35   | 24BBAS0000001 | BASE G4 MEC 80/100 SAVIPLAST M20         | 1         |
| 36   | 10CON00000008 | CONDENSATORE MF 40 VL450 45X94           | 1         |
| 37   | 24BCOP8000002 | COPERCHIO CONDENSATORE M80 G4 M20        | 1         |
| 38   | 30003Z0000010 | VITE 3,5X16 ZNC TCB+AC AUTOFIL.DIN7981   | 5         |
| 39   | 24BSTA0000001 | STAFFA FERMACONDENS.M63/71/80 SAV.STA.00 | 1         |
| 40   | 11MORS0000001 | MORSETTIERA 40X25 3P. + DADI             | 1         |
| 41   | 30003Z0000006 | VITE 3,5X13 C15 ZNC TC+ AUTOF.DIN7981    | 7         |
| 42   | 24BGHI0000001 | GHIERA FILETTATA M20X1,5 SCATOLA MEC 80  | 1         |
| 43   | 34GUA00000014 | GUARN. CONICA M80/100 SAVIPLAST D. 9 M20 | 1         |
| 44   | 24BFER0000002 | FERMACAVO MEC 80/100                     | 1         |
| 45   | 30003Z0000005 | VITE 3,5X10 C15 ZNC TC+ DIN 7500-C       | 1         |
| 46   | 32004ZDT00001 | RONDELLA DENT.M 4 DIN 6798 A ZNC         | 1         |