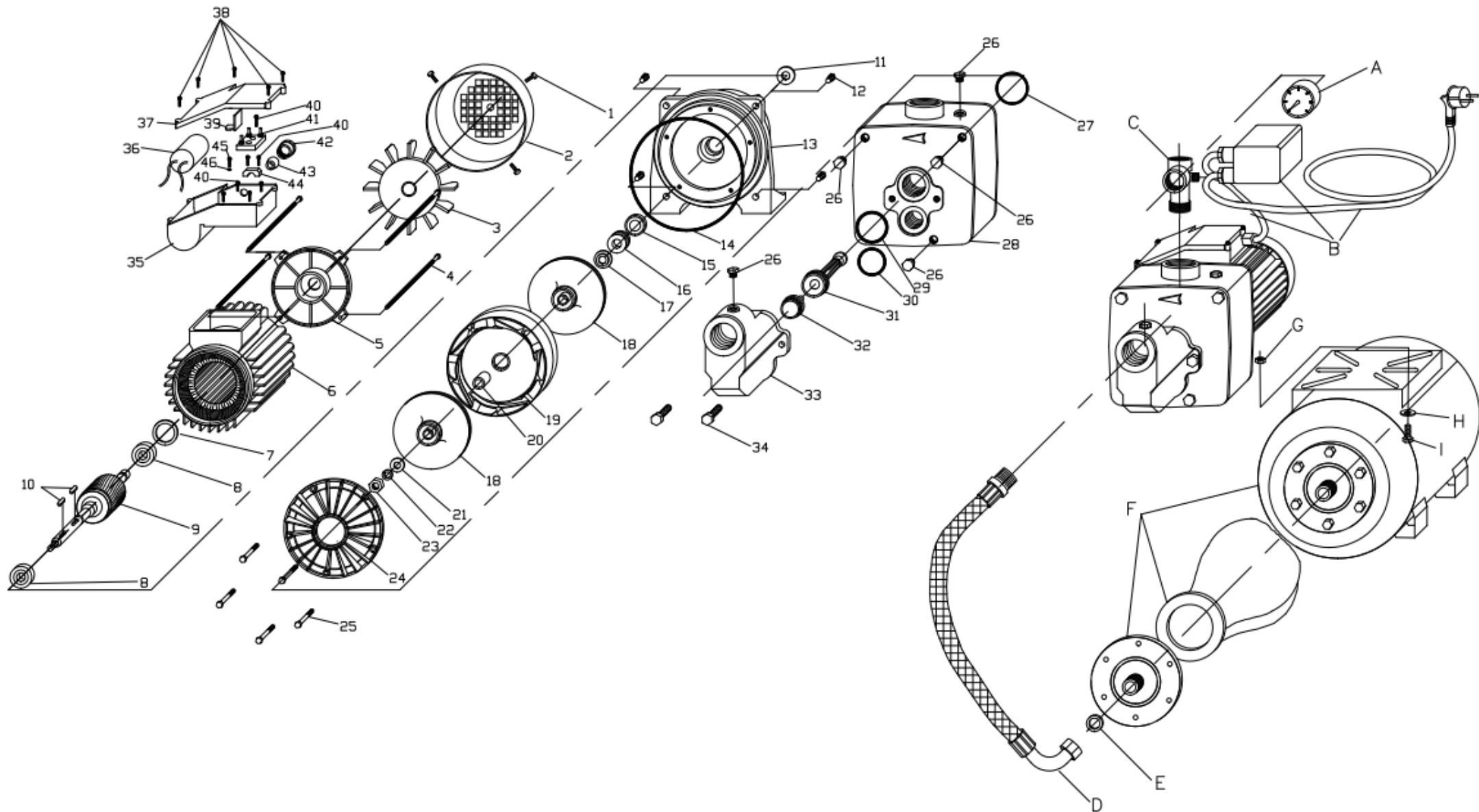


B-JET-PRESS 150 230V 50HZ

COD: BBPS150000001



RIF.	COD. ARTICOLO	DESCRIZIONE	QUANTITA'
1	30003Z0000020	VITE M 3,5X 9,5 C15 ZNB TC+ AUTOFILET.	4
2	44BCOP8000001	COPRIVENTOLA MEC80 LAM.LUCIDA VP/4F	1
3	24BVEN0000005	VENTOLA MEC80 CON ANELLO FB	1
4	33005G0000005	TIRANTE M 5X152 4,8 GR	4
5	50BSCU8000001	SCUDO M80 B3 NPF LAV.	1
6	M822000005801	STAT IN CASSA 80 B5 AP 230/50CT.A 80	1
7	216204C000001	ANELLO COMPENSATORE D.47 X 6204	1
8	2162040000004	CUSCINETTO 6204 2RS 20X47X14	2
9	H800800000001	ALBERO E ROTORE BI-JET 150	1
10	30L0400000001	LINGUETTA 4X4X10 INOX DIN 6885-A	2
11	34ROM00000001	ROMPIGOCCIA 30X14 H2,5 NBR	1
12	30010Z0000002	VITE M10 X30 8.8 ZNC TE PG DIN 933	4
13	54BSUPJET0001	SUPPORTO B-JET 88013/L LAV.GHISA	1
14	3417100000001	OR 171 X3,53 NBR 70 2312	1
15	3516F00000004	TENUTA F. 29,5X16 X8 PF C XP	1
16	3515R00000010	TENUTA R.15X33X16,3 PR/PN BPF-F MOL.L.G	1
17	32013BPT00002	RONDELLA PREM 13-15X30 H 6.5 OT /B-JET	1
18	56BNJET000001	GIRANTE JET 150 H 4 D.130 53004 NORYL	2
19	24BDIFIJ00001	DIFFUSORE INTERM.JET-ZBJ NORIL D.170 H54	1
20	52BDISG0000004	DISTANZIALE GIRANTE X B-JET27.5X13 17001	1
21	32010A0000001	RONDELLA M10 A2 DIN125-A	1
22	32010AGR00001	RONDELLA GROW M10 A2 DIN127-B	1
23	31010A0000001	DADO M10 H 8 A2 DIN 934	1
24	24BCOPDJ00001	COPERCHIO DIFFUSORE BI-JET D.170 NORIL	1
25	30005A0000014	VITE M5X65 A2 TCCE UNI5931 DIN912	5
26	24BTAPP0000006	TAPPO 1/4 GAS TESTATA JET-POM +OR AC3009	5
27	3405000000002	OR 50,39X3,53 NBR 70 4200	1
28	54BTJET000001	TESTATA GHISA JET150/300 LAV. 28014/L2	1
29	34GUA000000009	GUARN. PIANA 55 X 42 H3 XBI-JET	1
30	34GUA000000010	GUARN. PIANA 47 X 34 H3 XBI-JET	1
31	24BVNTJ000001	VENTURI BI-JET150 D.12.75 NORIL 94000	1
32	24BUGEJ000001	UGELLO BI-JET150 FR.D.5.7 NOR. 96000	1
33	54BEIEJET0001	EIETTORE JET150/300 33000/L1 LAV.GHISA	1
34	30010Z0000001	VITE M10 X25 8.8 ZNC TCEI DIN 912	2
35	24BBAS0000004	BASE G4 MEC 80/100 SAVIPLAST B-JET RECUP	1
36	10CON00000007	CONDENSATORE MF 30 VL450 CON OCCH.	1
37	24BCOP8000004	COPERCHIO CONDENSATORE M80 G4 RECUPERO	1
38	30003Z0000010	VITE 3,5X16 C15 ZNC TCB+AC AUTOFIL.DIN7981	5
39	24BSTA0000001	STAFFA FERMACONDENS.M63/71/80 SAV.STA.00	1
40	11MORS0000001	MORSETTIERA 40X25 3P. + DADI	1
41	30003Z0000006	VITE 3,5X13 C15 ZNC TC+ AUTOF.DIN7981	7
42	24BGHI0000001	GHIERA FILETTATA M20X1,5 SCATOLA MEC 80	1
43	34GUA000000014	GUARN. CONICA M80/100 SAVIPLAST D. 9 M20	1
44	24BFER0000002	FERMACAVO MEC 80/100	1
45	30003Z0000005	VITE 3,5X10 C15 ZNC TC+ DIN 7500-C	1
46	32004ZDT00001	RONDELLA DENT M 4 DIN 6798 A ZNC	1
A	60MAN000000004	MANOMETRO 0-6B D.40 POST 1/4GAS	1
B	60PREF00000002	PRES.MONOF.PM 5 F CAB.H053X1 SCHUKO	1
C	60RAC500000001	RACCORDO 5VIE L=82 1" OT A10	1
D	60FLE500000001	TUBO FLESS. CM50 1" M 3/4F C/CURVA	1
E	34GUA000000003	GUARN.FLESS. 3/4" EPDM80 23,7 H2	1
F	60VAS02400002	VASO LT 24 ATT 3/4" ORIZ.ART.A01 BLUE	1
G	31008Z0000002	DADO M 8 ZNC FLANGIATO PG DIN 6923	2
H	32008Z0000001	RONDELLA 8,5X24 H2 ZNC/CARR	2
I	30008Z0000007	VITE M 8X25 4.8 ZNC TE FLANG.PG DIN 6921	2