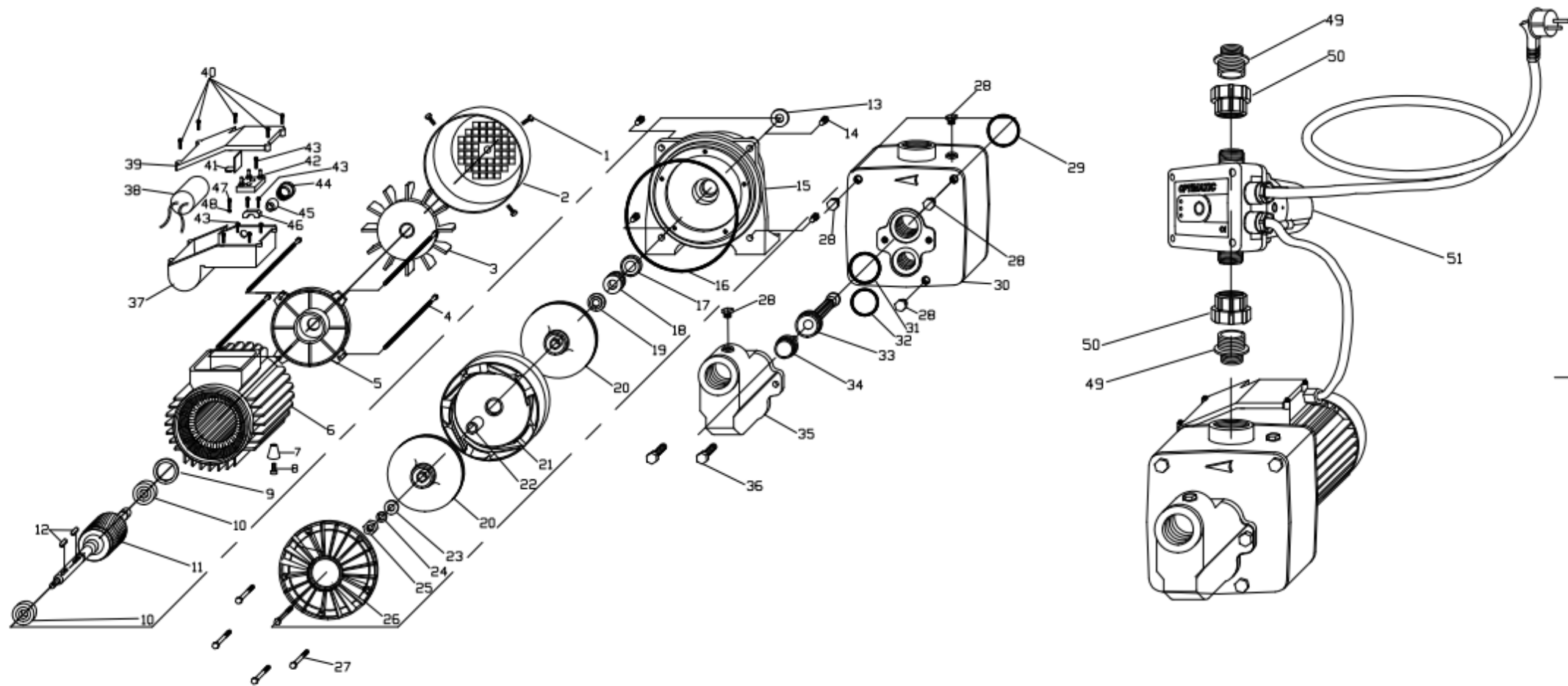


# AQUA TEC 150 230V 50HZ

COD: BBPH150000B01



RIF.	COD. ARTICOLO	DESCRIZIONE	QUANTITA'
1	30003Z0000020	VITE M 3,5X 9,5 C15 ZNB TC+ AUTOFILET.	4
2	44BCOP8000001	COPRIVENTOLA MEC80 LAM.LUCIDA VP/4F	1
3	24BVEN0000005	VENTOLA MEC80 CON ANELLO FB	1
4	33005G0000005	TIRANTE M 5X152 4,8 GR	4
5	50BSCU8000001	SCUDO M80 B3 NPF LAV.	1
6	M822000005801	STAT IN CASSA 80 B5 AP 230/50CT.A 80	1
7	00PIE00000011	PIEDINO X MOTORE MEC71 H31 CON FORO	1
8	30005Z0000029	VITE 5,5X14 C15B ZNC TC+ AUTOFILETT	1
9	216204C000001	ANELLO COMPENSATORE D.47 X 6204	1
10	2162040000004	CUSCINETTO 6204 2RS 20X47X14	2
11	H800800000001	ALBERO E ROTORE BI-JET 150	1
12	30L0400000001	LINGUETTA 4X4X10 INOX DIN 6885-A	2
13	34ROM00000001	ROMPIGOCCIA 30X14 H2,5 NBR	1
14	30010Z0000002	VITE M10 X30 8.8 ZNC TE PG DIN 933	4
15	54BSUPJET0001	SUPPORTO B-JET 88013/L LAV.GHISA	1
16	3417100000001	OR 171 X3,53 NBR 70 2312	1
17	3516F00000004	TENUTA F. 29,5X16 X8 PFC XP	1
18	3515R00000010	TENUTA R.15X33X16,3 PR/PN BPF-F MOL.L.G	1
19	32013BPT00002	RONDELLA PREM 13-15X30 H 6.5 OT /B-JET	1
20	56BNJET000001	GIRANTE JET 150 H 4 D.130 53004 NORYL	2
21	24BDIFIJ00001	DIFFUSORE INTERM.JET-ZBJ NORIL D.170 H54	1
22	52BDISG0000004	DISTANZIALE GIRANTE X B-JET27.5X13 17001	1
23	32010A0000001	RONDELLA M10 A2 DIN125-A	1
24	32010AGR00001	RONDELLA GROW M10 A2 DIN127-B	1
25	31010A0000001	DADO M10 H 8 A2 DIN 934	1
26	24BCOPDJ00001	COPERCHIO DIFFUSORE BI-JET D.170 NORIL	1
27	30005A0000014	VITE M5X65 A2 TCCE UNI5931 DIN912	5
28	24BTAPP000006	TAPPO 1/4 GAS TESTATA JET-POM +OR AC3009	5
29	3405000000002	OR 50,39X3,53 NBR 70 4200	1
30	54BTJET000001	TESTATA GHISA JET150/300 LAV. 28014/L2	1
31	34GUA00000009	GUARN. PIANA 55 X 42 H3 XBI-JET	1
32	34GUA00000010	GUARN. PIANA 47 X 34 H3 XBI-JET	1
33	24BVNTJ000001	VENTURI BI-JET150 D.12.75 NORIL 94000	1
34	24BUGEJ000001	UGELLO BI-JET150 FR.D.5.7 NOR. 96000	1
35	54BEIEJET0001	EIETTORE JET150/300 33000/L1 LAV.GHISA	1
36	30010Z0000001	VITE M10 X25 8.8 ZNC TCEI DIN 912	2
37	24BBAS0000004	BASE G4 MEC 80/100 SAVIPLAST B-JET RECUP	1
38	10CON00000007	CONDENSATORE MF 30 VL450 CON OCCH.	1
39	24BCOP8000004	COPERCHIO CONDENSATORE M80 G4 RECUPERO	1
40	30003Z0000010	VITE 3,5X16 C15 ZNC TCB+AC AUTOFIL.DIN7981	5
41	24BSTA0000001	STAFFA FERMACONDENS.M63/71/80 SAV.STA.00	1
42	11MORS0000001	MORSETTIERA 40X25 3P. + DADI	1
43	30003Z0000006	VITE 3,5X13 C15 ZNC TC+ AUTOF.DIN7981	7
44	24BGHI0000001	GHIERA FILETTATA M20X1,5 SCATOLA MEC 80	1
45	34GUA00000014	GUARN. CONICA M80/100 SAVIPLAST D. 9 M20	1
46	24BFER0000002	FERMACAVO MEC 80/100	1
47	30003Z0000005	VITE 3,5X10 C15 ZNC TC+ DIN 7500-C	1
48	32004ZDT00001	RONDELLA DENT M 4 DIN 6798 A ZNC	1
49	60NIPP0000008	RACCORDO DRITTO 1" M X 1" 1/4M PLASTICA	2
50	60VALNP000001	VALVOLA 1" NON RIT. PLASTICA X MCS	2
51	60OPTRMC00001	PRESSOFLUS.OPTIMATIC RMC 10A 1,5KW(2HP)	1