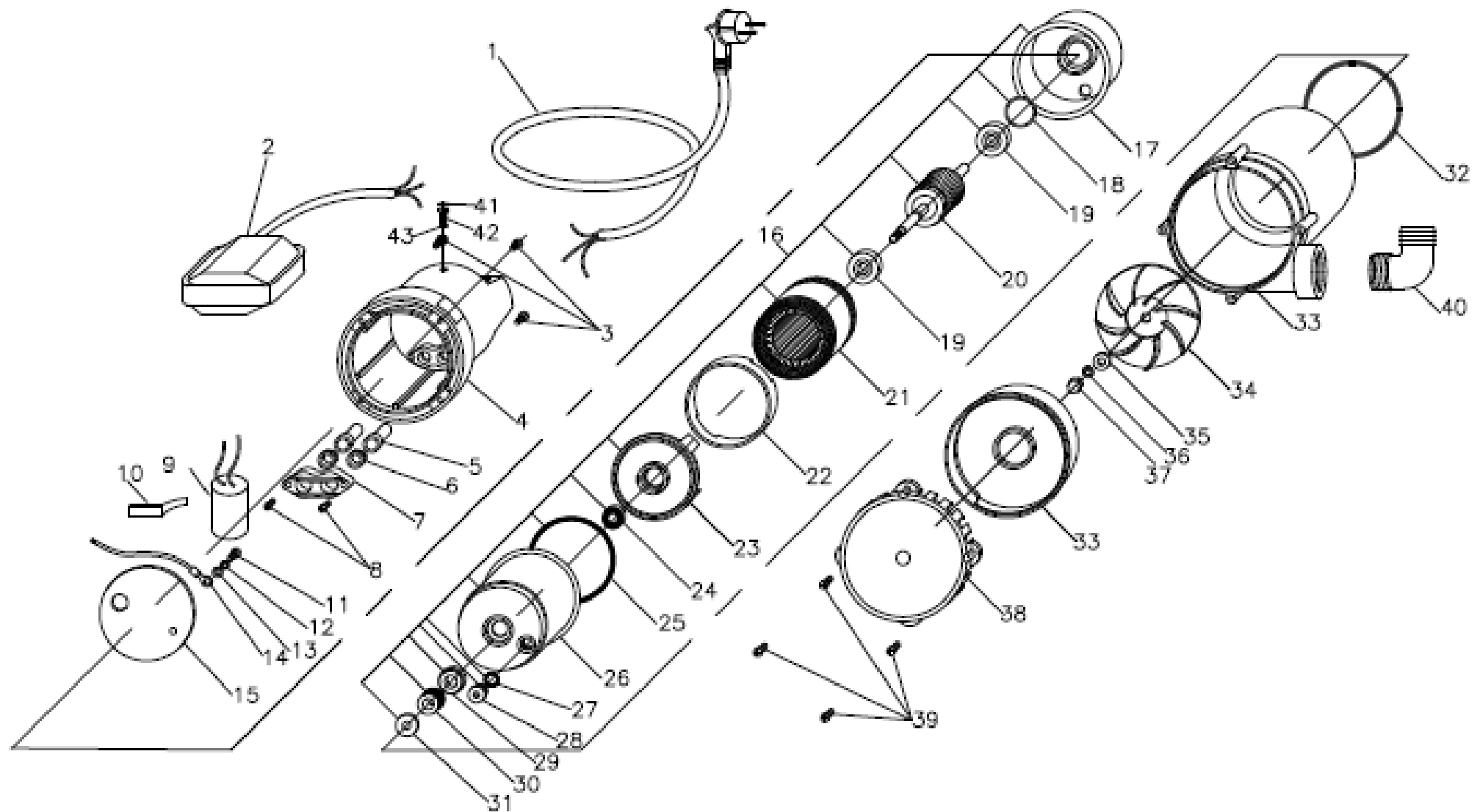


SPA 7000 230V 50HZ

COD. ASPA070000001

24/05/2018



| RIF. | COD. ARTICOLO | DESCRIZIONE | QUANTITA' |
|------|----------------|--|-----------|
| 1 | 14ACAVRNF0009 | CAVO H07 RNF 3X1 M 10,3 SCHUKO | 1 |
| 2 | 11AGAL0000002 | GALLEGGIANTE FILO CM 52 NERO H07 RNF 3X1 | 1 |
| 3 | 30005A0000006 | VITE 5X20 A2 TC+ SLD | 4 |
| 4 | 55AOSIP000003 | TESTATA OSIP GAL/P VERDE | 1 |
| 5 | 34PAS00000002 | PASSACAVALO 9X19 C. EPDM50 | 2 |
| 6 | 24ABOC0000001 | BOCCOLA FERMACAVALO "TURBO 50" | 2 |
| 7 | 24ASTA0000001 | STAFFA FERMACAVALO/ CONDENSATORE | 1 |
| 8 | 30004Z0000004 | VITE 4X20 C15 ZNC TC+ TRUCIOL.SL | 2 |
| 9 | 10CON00000002 | CONDENSATORE MF 12 VL450 D.36 | 1 |
| 10 | 24AFER0000003 | FERMA-CONDENSATORE "GASTA1" V33 | 1 |
| 11 | 30003Z0000005 | VITE 3,5X10 C15 ZNC TC+ DIN 7500-C | 1 |
| 12 | 32004ZDT00001 | RONDELLA DENT.M 4 DIN 6798 A ZNC | 1 |
| 13 | 32006Z0000001 | RONDELLA M 6 ZNC UNI 6592 ZNC DIN 125-A | 1 |
| 14 | 14ACAV0000002 | CAVETTO GIAL./VER. CM 28 OCC.D.4 PREISOL | 1 |
| 15 | 24ADPRT0000001 | DISCO PROTEZIONE MOTORI SOMMERSE V32 | 1 |
| 16 | N613012501701 | MOTORE 63 CONT.INOX AX-MX-SG800 230/50CT | 1 |
| 17 | 50ACALN0000001 | CALOTTA ALL.MOTORI SOMM. LAV. | 1 |
| 18 | 216201C000001 | ANELLO COMPENSATORE D.32B X 6201 | 1 |
| 19 | 2162010000007 | CUSCINETTO 6201 2RS | 2 |
| 20 | L630700000006 | ALBERO E ROTORE AX-MX-SG800 X TENUTA D12 | 1 |
| 21 | P630700010001 | STATORE AV. 90X47H 70 A.2PM V230/50 O CT | 1 |
| 22 | 24AANE0000009 | ANELLO PER MOTORE CONT.INOX H70 SOMMERSA | 1 |
| 23 | 24ASUP0000010 | SUPPORTO RYTON X CONTENIT. INOX SOM.D.32 | 1 |
| 24 | 34PAR12000001 | PARAOILIO SC 12X24X4,5 | 1 |
| 25 | 3408200000001 | OR 82,14X3,53 NBR 70 4325 | 1 |
| 26 | 44ACONI000011 | CONTENITORE INOX MOT.H70-90-110S.TEN.MEC | 1 |
| 27 | 3401000000003 | OR 10,82X1,78 NBR 70 2043 | 1 |
| 28 | 31TAP00000010 | TAPPO 1/4 GAS TCCE OT NIC SOMM | 1 |
| 29 | 3513F00000005 | TENUTA F.26X13X5,5 CA.SIL.NBR.G.RAG | 1 |
| 30 | 3512R00000007 | TENUTA R.FG12/22/8.3 CA.SIL.NBR316 | 1 |
| 31 | 52ADISP0000002 | DIST.PREM.MOT.H70 22X12H5,1 D.S150/1 | 1 |
| 32 | 3409000000001 | OR 90 X6,25 EPDM60 | 1 |
| 33 | 24ACHI0000002 | CHIOCCIOLA H 166 D.95.5 F1"1/4+DIFF.VOLU | 1 |
| 34 | 56AIHF0000002 | GIRANTE AX 800 H10 D.100 INTEGRALE INOX | 1 |
| 35 | 32008A0000002 | RONDELLA M8 INOX A4 SP. 2mm | 1 |
| 36 | 32008AGR00002 | RONDELLA GROW.M 8 DIN 127-B INOX A4 | 1 |
| 37 | 31008B0000005 | DADO M 8 CIECO PG DIN 1587 INOX A4 | 1 |
| 38 | 24ABASG000001 | BASE CON GRATA | 1 |
| 39 | 30004A0000001 | VITE 4X16 A2 TRUCIOLARE SL | 4 |
| 40 | 24ACUR0000002 | CURVA 1"1/4 X 35 | 1 |
| 41 | 65ATAR0000035 | BOLLINO ROSSO TEST POMPE SOMMERSE | 1 |
| 42 | 30003A0000013 | VITE 3,5X10 A2 TC TORX SLD | 1 |
| 43 | 3400200000001 | OR 2,90X1,78 NBR 70 2012 | 1 |